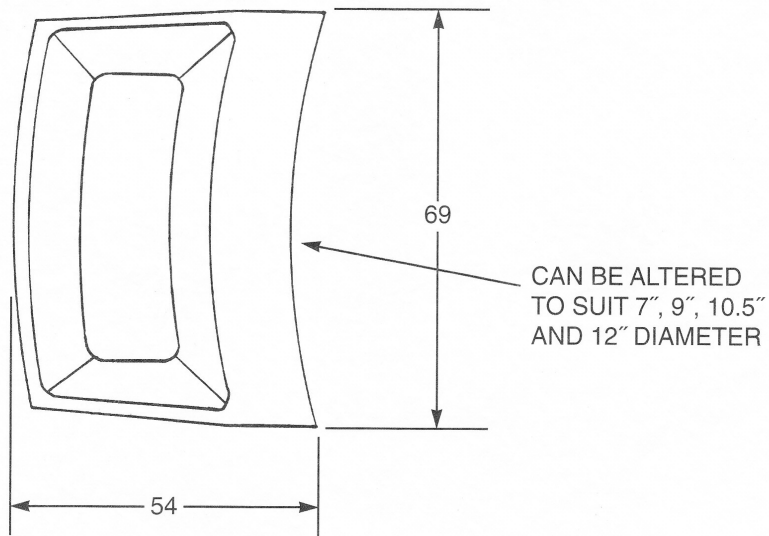
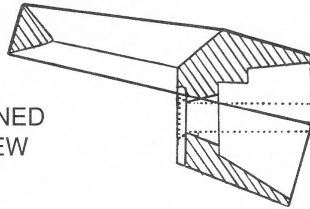


**P5 LIFT LUG 7, 9, 10.5, 12"**  
(SOLID BAKELITE)

TOP VIEW



SECTIONED  
SIDE VIEW



- PLAIN HOLE OF  $\frac{3}{16}$ " BSW CLEARANCE
- BLACK ONLY