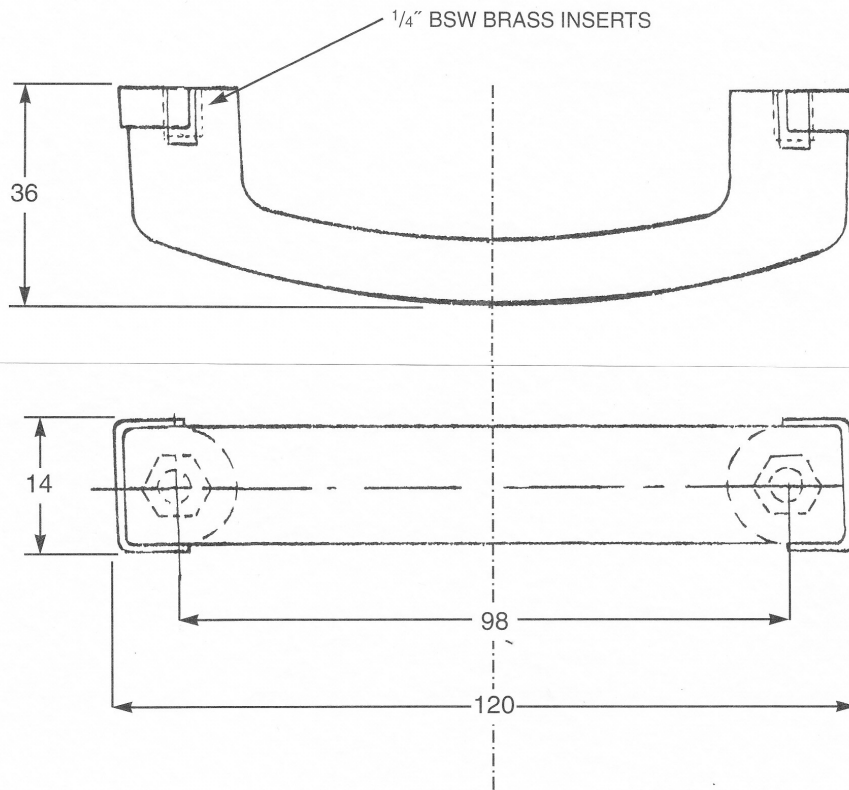


HP 55



- THREAD DEPTH IS
1.5 x THREAD DIAMETER
- BLACK ONLY